



Integrity
Innovation
Improvement

50Hz



B SERIES、TOS-B SERIES NON-CLOG SEWAGE SUBMERSIBLE PUMP

www.grampuspump.com

Moisture-resistance cable / Vortex Impeller design / Vent bolt design
Dual SIC mechanical seal / Dry type induction motor / Motor overload protector



HENG LONG ELECTRIC CO., LTD.

B series Non-Clog Sewage Submersible Pump



B-1052
B-3052
B-112
B-312



B-113
B-313



B-123



B-323
B-333
B-353




B-3754
B-3104
B-3154



FEATURES

1. Cable base and core wire are dealt with Epoxy Resin in order to avoid the moisture into the motor.
2. Volute casing is equipped with the vortex impeller for drawing out mud and sewage effectively.
3. Equipped with vent bolt at volute casing is to avoid air lock ensuring the pump operation steady.
4. Equipped with high quality dual SIC mechanical seal.
5. Motor is B class(130°C) insulation, enclosure IEC IP68.
6. Auto-cut prevents motor from overheat.
7. This type can be equipped with lift bracket.

ATTENTION

1. For supplying water stably, 15HP pump of B series are not with lift frame, but selecting AS series is better.
2. B series 2、3 HP models, the choice of single wing semi-open impeller is at option. 

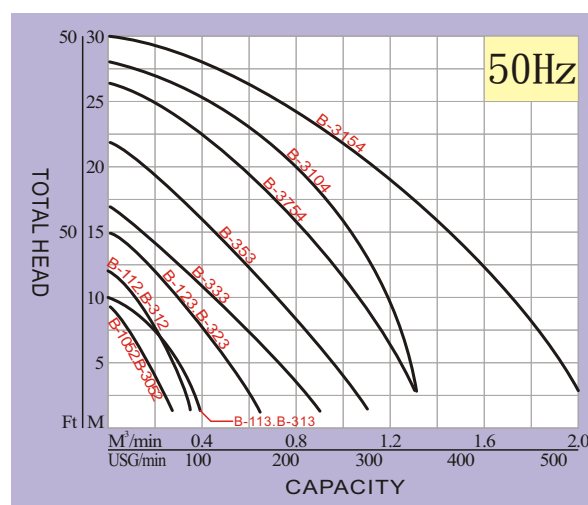
SPECIFICATION

Type	Ferquency	Phase	Voltage	Power	Caliber	Pole / Rotation	Std. Head	Std. Flow	Max. Head	Max. Flow	B Weight	TOS-B Weight	Solid Passage		
TYPE	Hz	PH	VOLT	HP	KW	Inch	mm	P/rpm	M	M ³ /min	M	M ³ /min	KG	KG	mm
TOS-B-1052	50	1Ø	220	1/2	0.4	2"	50	2P/2850	5M	0.16	9M	0.27	18	27	35
TOS-B-3052	50	3Ø	380	1/2	0.4	2"	50	2P/2850	5M	0.16	9M	0.27	17	26	35
TOS-B-112	50	1Ø	220	1	0.75	2"	50	2P/2850	8M	0.19	12M	0.35	20	29	35
TOS-B-312	50	3Ø	380	1	0.75	2"	50	2P/2850	8M	0.19	12M	0.35	20	29	35
B-113	50	1Ø	220	1	0.75	3"	80	2P/2850	5M	0.30	10M	0.41	21		35
B-313	50	3Ø	380	1	0.75	3"	80	2P/2850	5M	0.30	10M	0.41	21		35
TOS-B-123	50	1Ø	220	2	1.5	3"	80	2P/2850	10M	0.30	15M	0.65	35	55	40
TOS-B-323	50	3Ø	380	2	1.5	3"	80	2P/2850	10M	0.30	15M	0.65	34	54	40
TOS-B-333	50	3Ø	380	3	2.2	3"	80	2P/2850	11M	0.40	17M	0.90	41	61	45
TOS-B-353	50	3Ø	380	5	3.7	3"	80	2P/2850	14M	0.50	22M	1.10	45	65	40
TOS-B-3754	50	3Ø	380	7 1/2	5.5	4"	100	2P/2850	16M	0.80	26M	1.30	55	75	50
TOS-B-3104	50	3Ø	380	10	7.5	4"	100	2P/2850	20M	0.80	28M	1.30	60	80	50
B-3154	50	3Ø	380	15	11	4"	100	2P/2850	22M	1.00	30M	2.00	75		50

APPLICATION

1. Wastewater lift station, municipal wastewater treatment plant.
2. Building wastewater treatment system.
3. Piggery excrement, animal & poultry farm.
4. School, hospital, community wastewater treatment system.
5. Food, paper, mining, textile, leather industry wastewater treatment system.

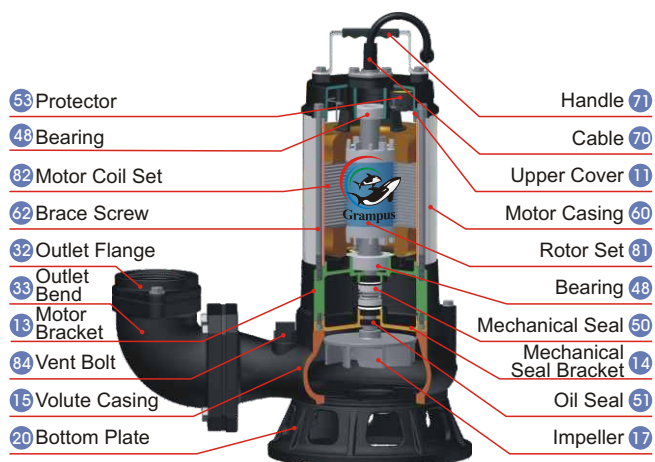
PERFORMANCE CURVE



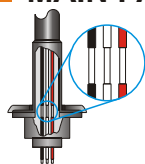
B series Non-Clog Sewage Submersible Pump



STRUCTURAL DRAWING



MAIN PART



Waterproof Cable Base

Our motor wire has the highest quality waterproof treatment to prevent moisture into motor from gaps or other situations.



Protector

The automatic reset motor overload protector will shut itself off automatically to prevent overheat whenever its voltage drop, impeller plugged, the drainage line is below the watermark and other unusual conditions.



Motor

Made from 2 Pole dry type motor with insulation class B (130°C) which is sustainable in high temperature.



Ball Bearing

Precision ball bearing, whose character is high circumgyration, low noise, low vibration and low wear torque, increases long service life.



Dual Silicon Carbide Mechanical Seal

Its character is mud-resistance and excellent lubrication and is good for long-lasting running. The dual enclosed construction has a diaphragm to prevent leakage strongly.



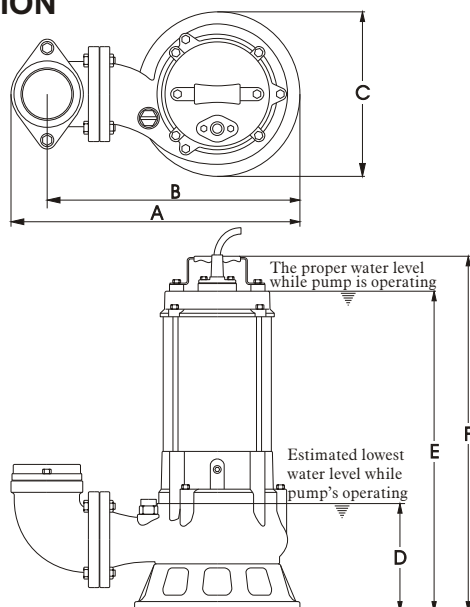
Vortex Impeller

The vortex impeller not only could drain out solid object and long fiber object, but also it will be without touching the impeller in which reduce the abrasion and approach lif extension.

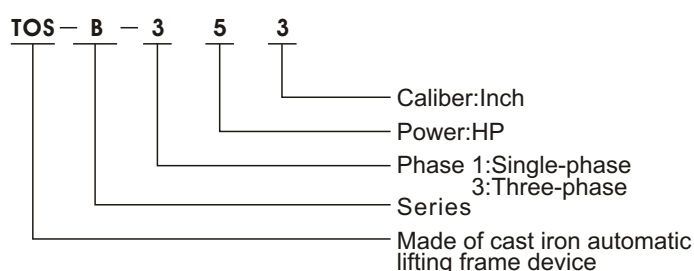
MATERIAL AND STANDARD TABLE

Liquid	Caliber	50mm · 80mm · 100mm	
	Temperature	0°C ~ 40°C (32°F ~ 104°F)	
	Application	Available to deal with wastewater of building, sewer and industrial wastewater of food, paper, mining, textile,leather, dyeing and metal.	
	The lowest depth	▽30 M	
Pump	Structure	Impeller	Vortex Impeller
		Seal	Dual Mechanical Seal
	Material	Upper Cover	FC-200
		Bearing	Heavy-duty bearing
		Impeller	FC-200
		Volute Casing	FC-200
		Bottom Plate	1/2-1HP:Engineering Strengthen Fiber Resin 2-15HP:FC-200
		Motor Bracket	FC-200
		Mechanical Seal Bracket	FC-200
		Seal	Lubricant
Motor Side	Carbon / Ceramic		
Pump Side	Silicon Carbide / Silicon Carbide		
Motor	Type	Submersible dry type	
	Insulation class	B class(130°C) / F class(7.5-15HP)	
	Inner protector	Auto Reset Motor Protector	
	Material	Casing	SUS-304
		Main Shaft	SUS-410 / SUS-420
Cable	Standard VCT / Optional		

DIMENSION



TYPE EXPLANATION



Unit:mm

TYPE	A	B	C	D	E	F
B-1052	240	205	185	130	360	410
B-3052	240	205	185	130	330	385
B-112	240	205	185	130	390	445
B-312	240	205	185	130	365	420
B-113	270	220	185	130	390	445
B-313	270	220	185	130	365	420
B-123	325	275	220	135	505	560
B-323	400	350	220	200	450	490
B-333	445	390	250	200	465	530
B-353	445	390	250	200	485	540
B-3754	535	430	250	220	515	590
B-3104	535	430	250	220	535	610
B-3154	550	445	285	230	600	680

TOS-BS series (Guide Rail System)



According to the situation of set up is different at project scene, our Lifting Device doesn't include the Guide Rail. Guide Rail needs to be purchased optional.

TOS-B-1052
TOS-B-3052
TOS-B-112
TOS-B-312



TOS-B-323
TOS-B-333
TOS-B-353
TOS-B-3754
TOS-B-3104



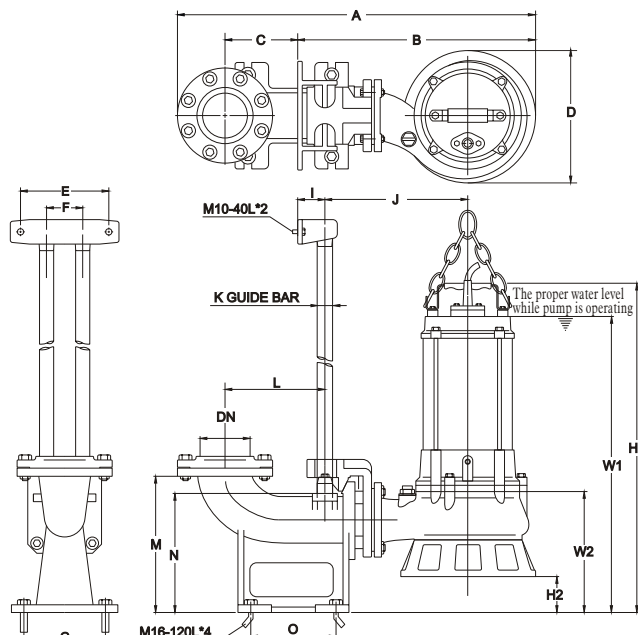
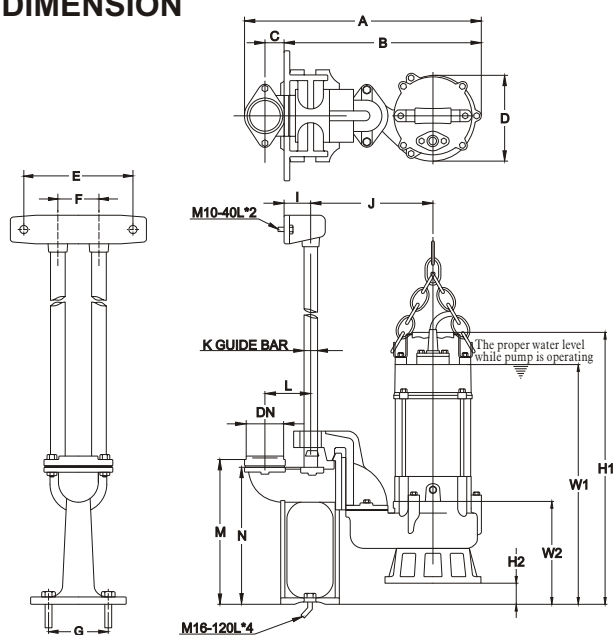
FEATURES

Automatically lift bracket, which is easy to repair or maintain by guide rail bars and chains. On the other hand, that help pumps ascend and descend, assemble and disassemble, and it is safer and more convenient comparing to traditional pump.

DIMENSION

APPLICATION

Piggery excrement, factory sewage, food-processing factory, leather factory, paper-dyeing, iron and steel, and various industries.



Unit:mm

TYPE	DN	A	B	C	D	E	F	G	I	J	K	L	M	N	O	W1	W2	H1	H2
TOS-B-1052	50	425	345	40	165	185	70	100	50	215	1"	90	275	255		400	180	465	45
TOS-B-3052	50	425	345	40	165	185	70	100	50	215	1"	90	275	255		370	180	435	45
TOS-B-112	50	425	345	40	165	185	70	100	50	215	1"	90	275	255		430	180	495	45
TOS-B-312	50	425	345	40	165	185	70	100	50	215	1"	90	275	255		405	180	470	45
TOS-B-123	80	645	460	95	220	185	70	130	50	300	1"	145	305	275	135	515	170	580	10
TOS-B-323	80	585	400	95	220	185	70	130	50	240	1"	145	305	275	135	555	275	615	120
TOS-B-333	80	645	455	95	250	185	70	130	50	280	1"	145	305	275	135	580	275	650	110
TOS-B-353	100	755	485	165	250	195	80	180	60	300	1 1/4"	225	290	240	170	555	230	625	70
TOS-B-3754	100	755	485	165	250	195	80	180	60	300	1 1/4"	225	290	240	170	585	230	660	70
TOS-B-3104	100	755	485	165	250	195	80	180	60	300	1 1/4"	225	290	240	170	605	230	680	70

HENG LONG

HENG LONG ELECTRIC CO.,LTD.
E-mail:service@grampusump.com
Http://www.grampusump.com

Specialized Manufacturer of Submersible Pump · Made in TAIWAN

ISO 9001 Certified

- 1.Product supported by continuously research and improvement. We reserve the right to modify the specifications, capabilities and accessories of all products.
- 2.Please inform the detailed type, application, phase, power, caliber, voltage and head before order. It is easy to obtain a suitable model.
- 3.All the capabilities and specifications are subject to the products. If the voltage and frequency is specific standard, please customize in advance.